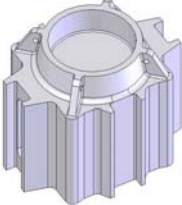
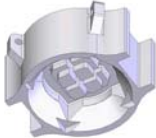
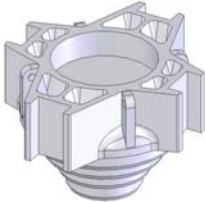





All Pileco helmets are made from quality cast carbon steel. The cushion receptacles and pile insert receptacles are machined flat for maximum energy transfer.  
The U-lead guiding is machined to warrant the required guiding tolerance.

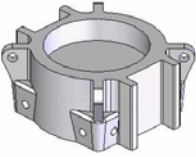
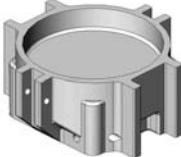
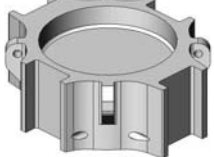
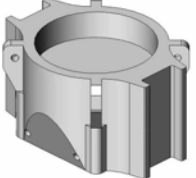
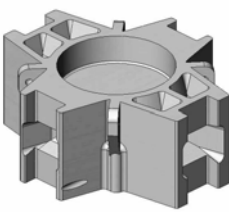
	<b>Square Helmets for concrete piles</b>				
		max. sq. pile size	cushion	U-lead size	weight lbs.
	500024-A	24"	Ø 23"	32.5" x 8"	5,620
	500024-B	24"	Ø 23	32.5" x 8" 42.5" x 8"	7,056
	500030	30"	Ø 23"	42.5" x 11"	12,000
	500030-A	30"	Ø 23"	42.5" x 8" 42.5 x 11"	12,000
500036	36"	Ø 23"	42.5" x 8" 42.5" x 11"	14,000	
	<b>Universal helmet for H-piles &amp; pipe piles</b>				
			cushion	U-lead size	weight lbs.
500000	Steel beams: 8", 10", 12" Steel pipe Ø: 10", 12", 14"	Ø 17"	21" x 8"	970	
	<b>Offshore Male type helmet</b>				
		Pipe pile size	cushion	U-lead size	weight lbs.
	410455	16" x 1" 20" x 1" 24" x 1-1/2" 30" x 1-1/2" 36" x 1-1/2"	Ø 23"	36.5" x 8" 42.5" x 8"	6,300
	410452	24" x 1" 30" x 1" 36" x 2"	Ø 27"	48.5" x 8" 54.5" x 8"	14,400
410453	42" x 1-1/2" 48" x 1-1/2" 54" x 1-1/2"	60" x 1-1/2" 66" x 1-1/2"	Ø 37"	66.5" x 8" 68.5" x 12"	26,600
	<b>Large diameter drive plates</b>				
		up to 66"	Ø 27"	special lead frame	
	410454	up to 98-1/2" diameter guide shoes for: Ø 66", 72", 84", 96"	Ø 37"	special lead frame	38,400
410456	up to 120" diameter male type drive plate, guide shoes for: Ø 72", 84", 96", 108"	Ø 37"	special lead frame	approx. 70,000	



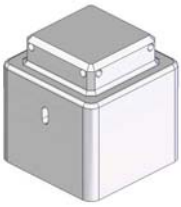

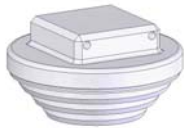
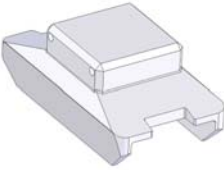

The Pileco primary helmet drive cap systems for U-type leads allows a quick adjustment to specified pile types and sizes. Various pile inserts have the standard 17" square head which fits in different sizes of primary helmets.

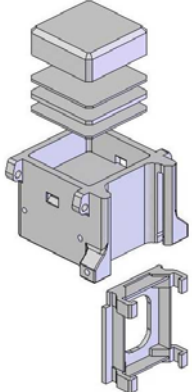
	<b>Striker Plate:</b>	<b>Ø17" x 4"</b>	200 lbs	<b>Ø27" x 12"</b>	1550 lbs	
		<b>Ø19" x 6"</b>	380 lbs	<b>Ø37" x 12"</b>	3080 lbs	
		<b>Ø23" x 10"</b>	950 lbs			
	<b>Hammer cushion</b>	For Diesel hammer and helmet protection				
		1" Mincarta & 2x1/2" Aluminum - modulus of elasticity: 350 ksi - coefficient of restitution: 0.8				
<b>Primary helmet</b>	<b>Features</b> - machined bottom receptacle for cushion and helmet insert for maximum energy transfer and lifetime - 17" standard square for inserts - integrated U-lead guiding					
<b>Helmet insert</b>	<b>Features</b> - machined face of 17" square for max. energy transfer - inserts for concrete-, steelpipe-, sheet- and h-piles available					

**Primary Helmets**

 <p><b>500521</b></p> <p>weight complete: 1050 lbs          striker plate: Ø 17"          U-lead guiding: 21" x 8"</p>	 <p><b>500526</b></p> <p>weight complete: 2200 lbs          striker plate: Ø 23"          U-lead guiding: 26" x 8"</p>	 <p><b>500532</b></p> <p>weight complete: 2750 lbs          striker plate: Ø 23"          U-lead guiding: 26" x 8"          32" x 8"</p>
 <p><b>500532-HD</b></p> <p>weight complete: 2820 lbs          striker plate: Ø 23"          U-lead guiding: 32" x 8"</p>	 <p><b>500542</b></p> <p>weight complete: 5400 lbs          striker plate: Ø 23"          U-lead guiding: 42" x 8" (10")          36" x 8"</p>	



Helmet Inserts					
	<b>Inserts for concrete piles</b>				
	500512-01	12" Square		1356 lbs.	
	500514-01	14" Square		1023 lbs.	
	500516-01	16" Square		1570 lbs.	
	500518-01	18" Square		1715 lbs.	
	500520	20" Square		1724 lbs.	
	<b>Inserts for H-piles</b>				
	500515	10", 12", 14" H-pile		890 lbs.	
	<b>Inserts for pipe-piles</b>				
	500509-1	up to 16" diameter		760 lbs.	
	500509-2	up to 24" diameter		1380 lbs.	
	500509-3	up to 30" diameter		2210 lbs.	
	<b>Inserts for sheet-piles</b>				
		length	width	min. U-lead size	weight
	500513	30.5	13.5"	26.5" x 8"	870 lbs.
	500513-2	38"	16.5"	32.5" x 8"	1270 lbs.
	500513-4A	43" / 39"	19.6"	32.5" x 8"	2600 lbs.
	<b>Inserts for timber-piles</b>				
	500506-1	up to 16" diameter		560 lbs.	

Pileco helmet drive cap systems for European-type leads				
		<b>pile size</b>	<b>.cushion</b>	<b>weight lbs.</b>
	500016	Sq. 16"	Square 17"	1070
	Other sizes for square concrete pile are available an request			
		Sheet pile helmet 30.5" x 13.25"	Square 17"	1360
	Also useable in U leads size 26.5" x 8"			
Guiding inserts are custom manufactured. These guiding inserts can be kept separately or can be welded to the rear side of the helmet				